



# TRANSCARE 300

## Stretcher



# IMPECCABLE DESIGN

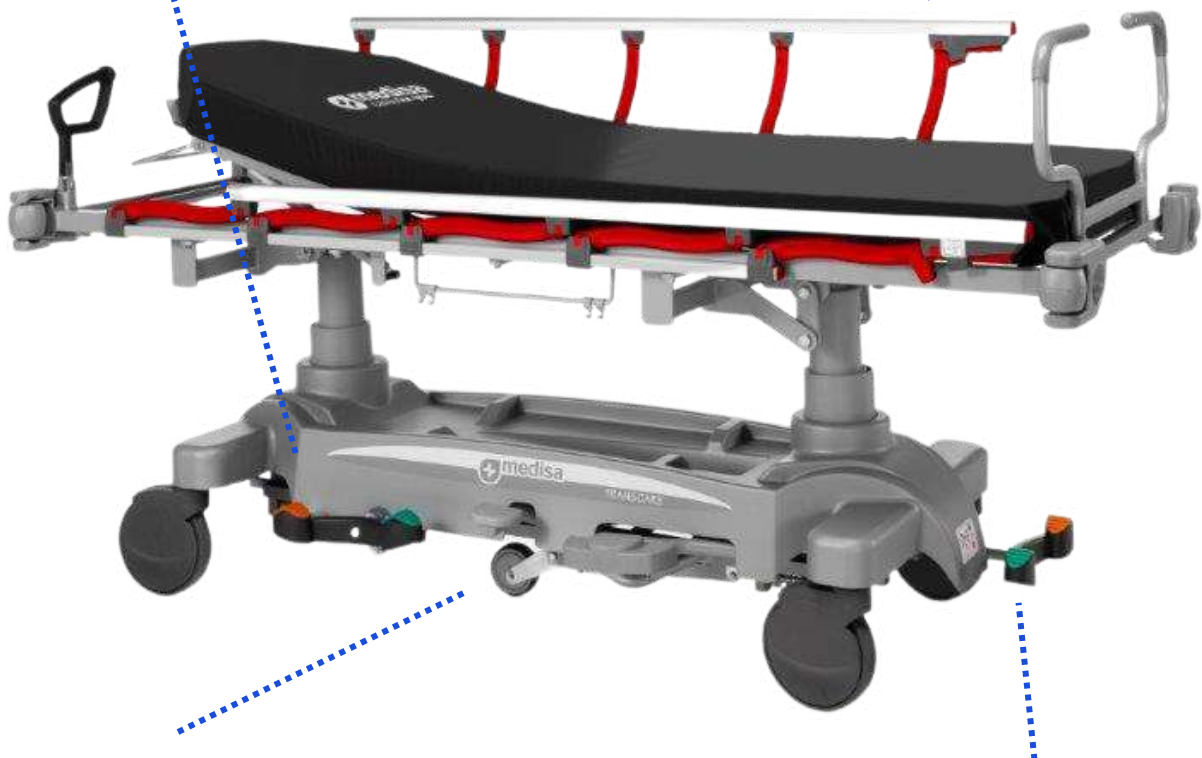


# MORE THAN A TRANSPORT STRETCHER



**4 access points**

**New side rails design**



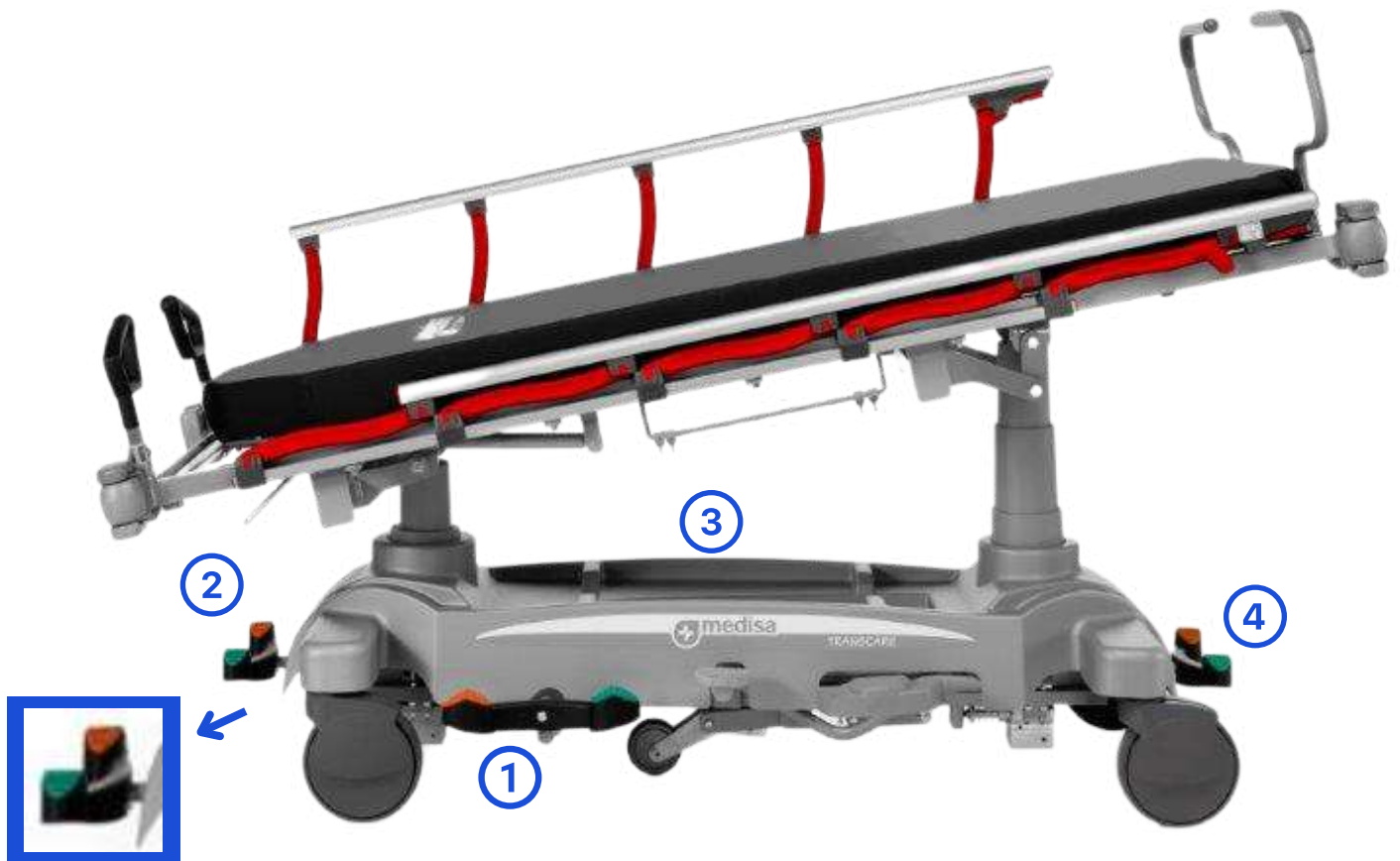
**Assisted 5th wheel**

**Central brake  
and steer**

- ✓ More comfort
- ✓ Possibility of diagnosis and treatment on it.
- ✓ Faster and safer transport of the patient.

# NEW FEATURES

## FOUR ACCESS POINTS



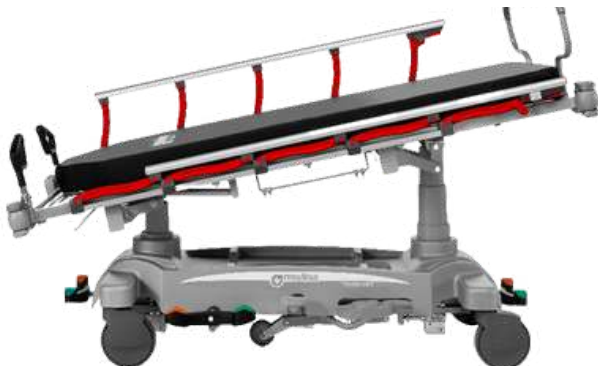
➤➤➤ Total lock of wheels

➤➤➤ Actuation of 5th wheel total brake and steer

➤➤➤ Retractable 5th wheel allowing also lateral displacements

# NEW FEATURES

## SIDE RAILS DESIGN



Safety lock



One hand handling



Covers 80% of the patient area



Side rails locking and un-locking system accomplished with one single hand



Their lower position do not exceed mattress height



Safer and easier transfer for the patient



Height adjustment through stable columns



Maximum safe working load up to 320kg



Cylindrical trims on columns for better cleaning procedures

# NEW FEATURES

## 5TH WHEEL



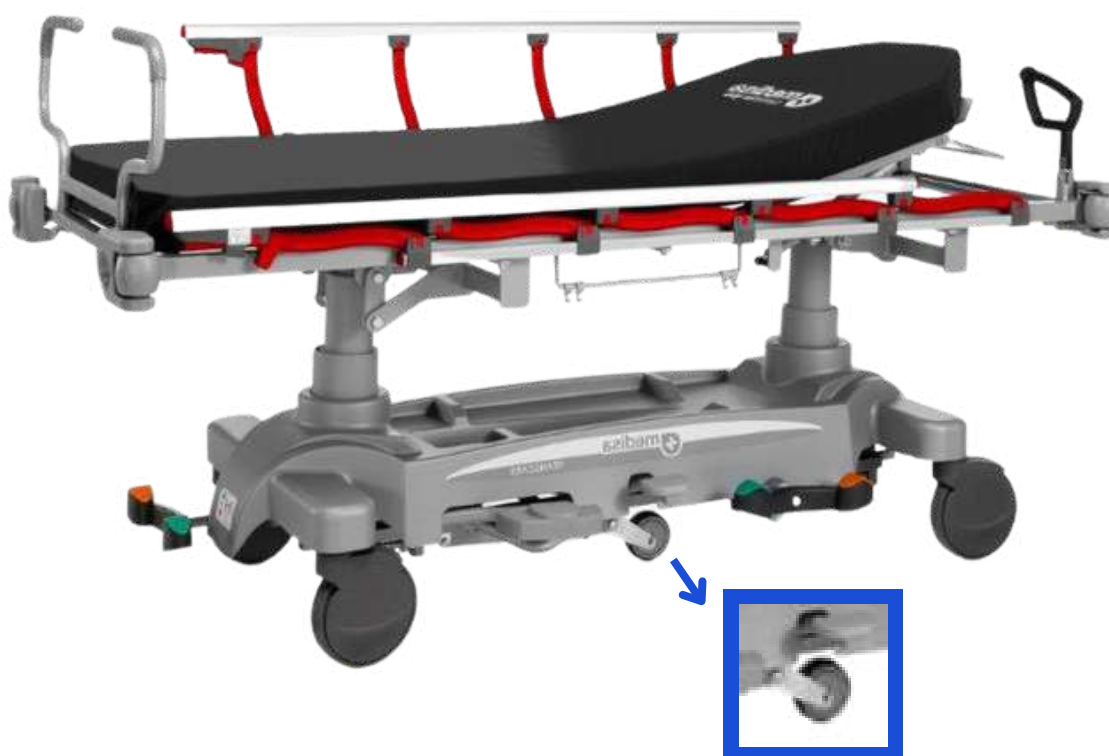
Better mobility



Safer



Less effort for health staff




- ✓ 125 mm
- ✓ Steering facility
- ✓ Facilitates turning and lateral displacement
- ✓ Easy and precise movement

# GENERAL FEATURES



## More facilities than EVER

 Height adjustment



Easier access for patients



Less efforts for health staff

  
MINIMUM  
HEIGHT  
62,5 cm



MAXIMUM HEIGHT  
93,5 cm



Height adjustment through **bilateral pedal** and urgent descent for **CPR**



**Silent and continuous descent** through hydraulic columns

# GENERAL FEATURES



Multiple pedals for height adjustment, urgent descent in case of emergency



Trendelenburg, Reverse Trendelenburg  $\pm 16^\circ$



# GENERAL FEATURES

RADIOLUCENT STRETCHER



Totally radiolucent  
surface

Rx cassette tray  
(OPTIONAL)

Lateral side rails with  
one single hand  
adjustment

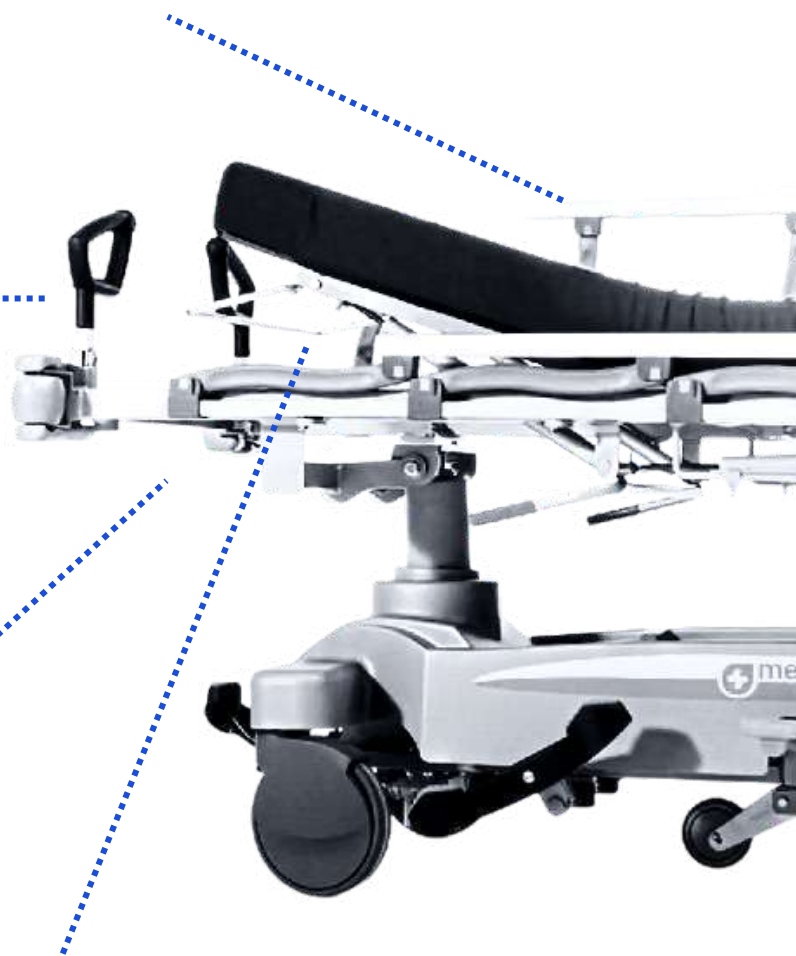
# SAFETY

# FEATURES



**Folding handles with locking system** and detachable pushing bar

Bumpers on each corner



**The lowest position of the side rails does not exceed mattress height**

SIMPLE



COMFORT



SAFE

# INCLUDED ACCESSORIES



**1**

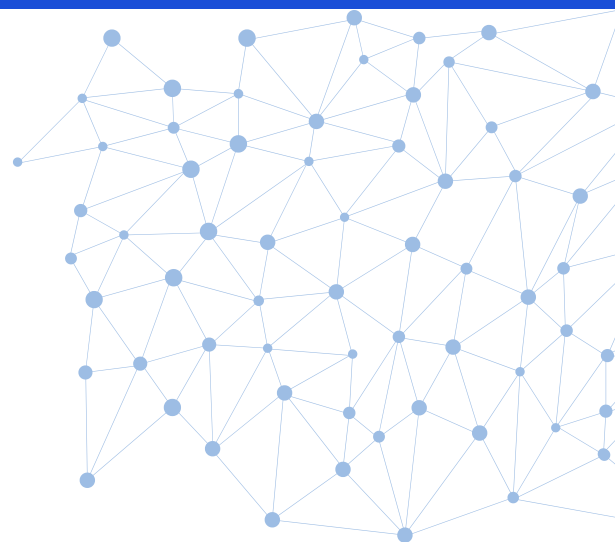
**Radiolucent  
mattress**

- ✓ 10 cm height
- ✓ High density foam core
- ✓ Fire resistant, anti fungi, anti bacterial polyurethane cover

\* Optional visco mattress

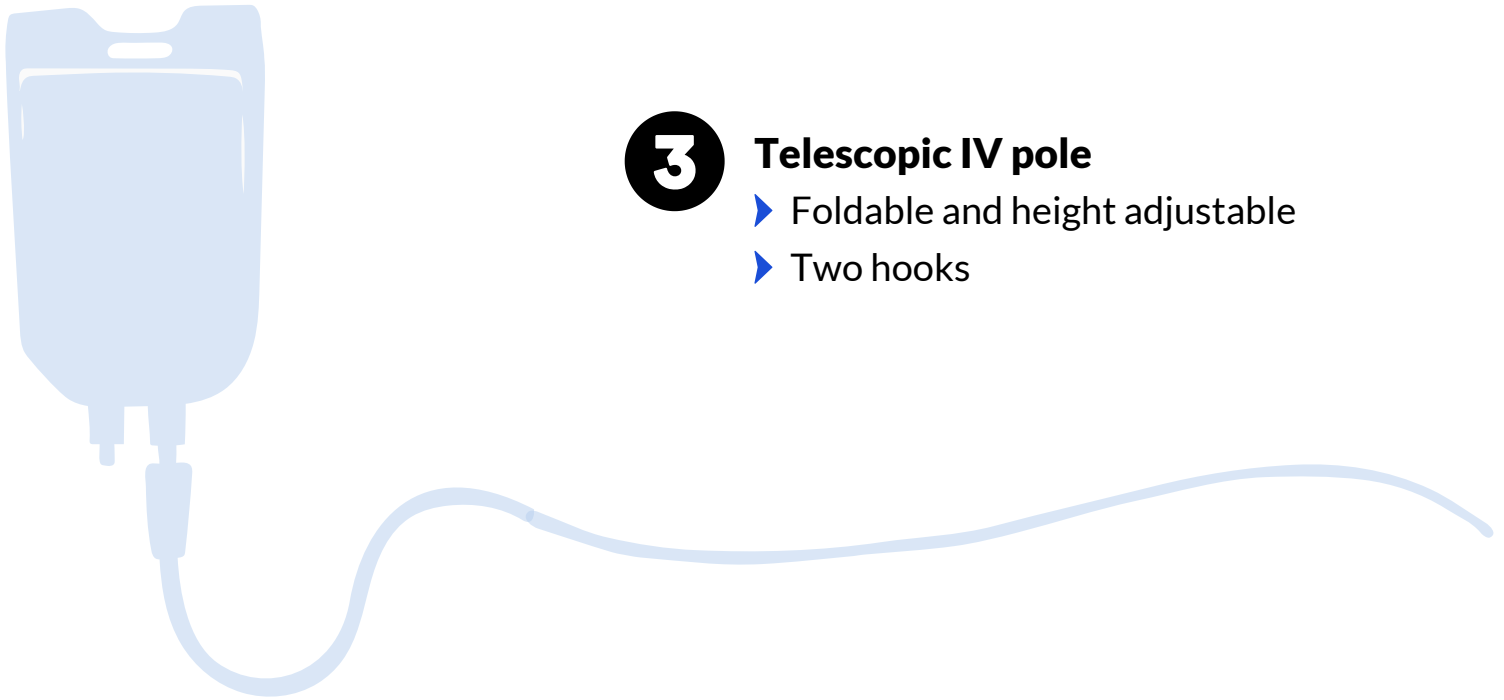
**2**

**RX cassette  
tray holder  
(optional)**



*#CaresForYou*

# INCLUDED ACCESSORIES



- 3** **Telescopic IV pole**
- ▶ Foldable and height adjustable
  - ▶ Two hooks

- 4** **Base with Oxygen bottle holder**
- ▶ The base cover is designed to adapt oxygen bottles of different
  - ▶ In this area patient belongings and other elements can be placed



- 5** **Hooks for drainage bags**
- The stretchers has hooks for urine and drainage bags on each side

# TECHNICAL FEATURES



Overall dimensions	2120 mm x 890 mm
Patient area dimensions	1900X690 cm
Height range	625 x 935 mm
Backrest plane dimensions	625 x 725 mm
Legrest dimensions	660 x 1100 mm
Backrest angle	0°- 90°
Trendelenburg/antitredelenburg	±16°
Maximum safe working load	300 kg.
Weight without accessories	100 kg

## Normative

